

## Specification Change Notice

Products affected : Liquidtight Insulation Cap “Quick Cap” OA-QW series

Dear Customer

We would like to inform you of an upcoming change to the above product in connection with renewal of the molds.

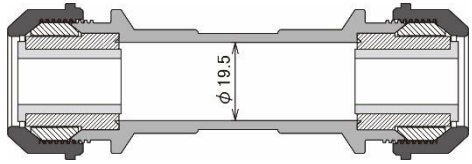
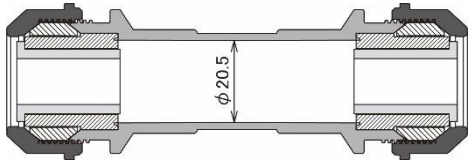
Your understanding and continued business are highly appreciated.

### 1. Affected models

OA-QW16S(E)/OA-QW1619S(E)/OA-QW19S(E)/  
OA-QW16S(E)N/OA-QW1619S(E)N/OA-QW19S(E)N

### 2. Description of change

Change of inner diameter of the product body

Model	Before change	After change
<ul style="list-style-type: none"> <li>•OA-QW16S(E)</li> <li>•OA-QW1619S(E)</li> <li>•OA-QW19S(E)</li> <li>•OA-QW16S(E)N</li> <li>•OA-QW1619S(E)N</li> <li>•OA-QW19S(E)N</li> </ul>	 <p style="text-align: center;">Inner diameter 19.5mm</p>	 <p style="text-align: center;">Inner diameter 20.5mm</p>

### 3. Schedule for change

Starting from January 2019 as soon as present stock has run out

\*It may happen that the existing products and new ones will be shipped together during the beginning period of switchover.

### 4. Others

The model numbers, prices and other specifications not described here are remain same.

Switchover time will differ by model depending on each stock condition.

For further details, please contact us at [info@ohm.co.jp](mailto:info@ohm.co.jp).

OHM Electric Co., Ltd.

Kazumi Ishikawa  
General Manger, Wiring Accessories Div.